

### PRELIMINARY SPEC

Part Number: AA2810RWS/Z

WHITE



**ATTENTION**  
OBSERVE PRECAUTIONS  
FOR HANDLING  
ELECTROSTATIC  
DISCHARGE  
SENSITIVE  
DEVICES

### Features

- 2.8mmX1.0mm RIGHT ANGLE SMT LED, 1.2mm THICKNESS.
- LOW POWER CONSUMPTION.
- IDEAL FOR BACKLIGHT AND INDICATOR.
- VARIOUS COLORS AND LENS TYPES AVAILABLE.
- PACKAGE : 2000PCS / REEL.
- ELECTROSTATIC DISCHARGE THRESHOLD (HBM):1000V.
- TYP. COLOR TEMPERATURE:6500K
- COLOR COORDINATES:X=0.31,Y=0.31 ACC. TO CIE1931(WHITE).
- OPTICAL EFFICIENCY:53.1 lm/W(TYP.)
- COLOR REPRODUCTION INDEX:80
- MOISTURE SENSITIVITY LEVEL : LEVEL 4.
- RoHS COMPLIANT.

### Description

The source color devices are made with InGaN Light Emitting Diode.

Static electricity and surge damage the LEDs.

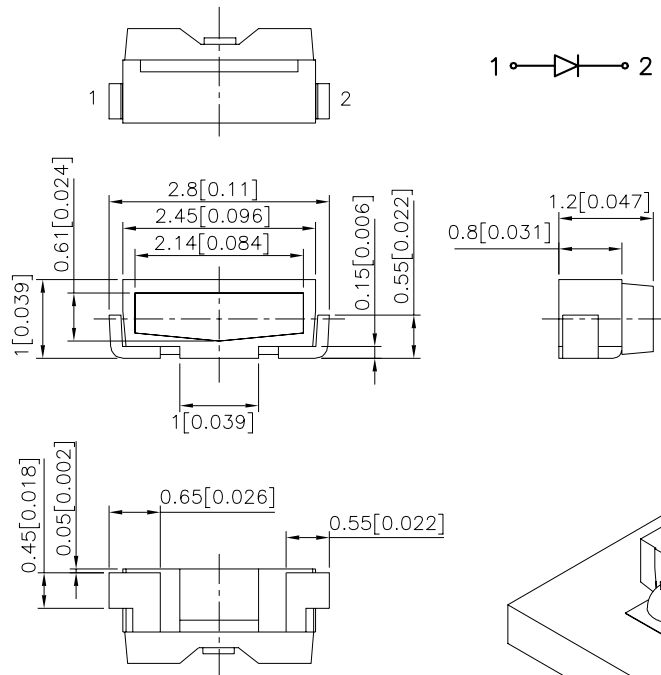
It is recommended to use a wrist band or anti-electrostatic glove when handling the LEDs.

All devices, equipment and machinery must be electrically grounded.

### Applications

- traffic signaling.
- backlighting (illuminated advertising , general lighting).
- interior and exterior automotive lighting.
- substitution of micro incandescent lamps.
- Reading camps.
- signal and symbol luminaire for orientation.
- marker lights (e.g. steps, exit ways, etc).
- decorative and entertainment lighting.
- indoor and outdoor commercial and residential architectural lighting.

### Package Dimensions



#### Notes:

1. All dimensions are in millimeters (inches).
2. Tolerance is  $\pm 0.1(0.0039)$  unless otherwise noted.
3. Specifications are subject to change without notice.
4. The device has a single mounting surface. The device must be mounted according to the specifications.

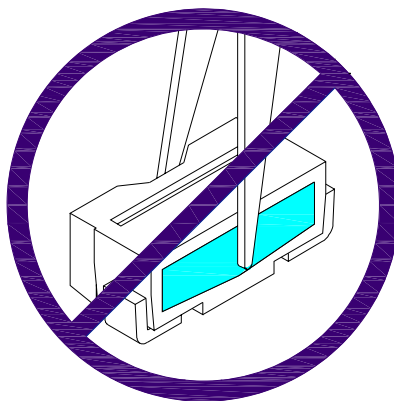


## Handling Precautions

Compare to epoxy encapsulant that is hard and brittle, silicone is softer and flexible. Although its characteristic significantly reduces thermal stress, it is more susceptible to damage by external mechanical force.

As a result, special handling precautions need to be observed during assembly using silicone encapsulated LED products. Failure to comply might leads to damage and premature failure of the LED.

Do not directly touch or handle the silicone lens surface. It may damage the internal circuitry.



## Selection Guide

| Part No.    | Dice          | Lens Type   | Luminous Intensity <sup>Note2</sup><br>Iv(mcd) @ 20 mA |      | Φv (lm) <sup>Note3</sup><br>@ 20 mA |      | Viewing Angle <sup>Note1</sup> |
|-------------|---------------|-------------|--|------|-------------------------------------|------|--------------------------------|
|             |               |             | Min.   | Typ. | Min.                                | Typ. | 2θ1/2                          |
| AA2810RWS/Z | WHITE (InGaN) | WATER CLEAR | 650  | 1200 | 1500                                | 3400 | 120°                           |

## Absolute Maximum Ratings at TA=25°C

| Parameter  | Symbol           | Value       | Unit         |
|--|------------------|-------------|--------------|
| Power dissipation  | Pt               | 111         | mW           |
| Reverse Voltage  | VR               | 5           | V            |
| Junction temperature   | TJ               | 110         | °C           |
| Operating Temperature  | Top              | -40 To +85  | °C           |
| Storage Temperature  | Tstg             | -40 To +100 | °C           |
| DC Forward Current   | IF               | 30          | mA           |
| Peak Forward Current <sup>Note4</sup>  | IFM              | 100         | mA           |
| Thermal resistance<br>Junction/ambient <sup>Note5</sup><br>Junction/solder point | Rth JA<br>Rth JS | 300<br>140  | °C/W<br>°C/W |

### Notes:

- 1.θ1/2 is the angle from optical centerline where the luminous intensity is 1/2 the optical centerline value.
- 2.Luminous intensity is measured by a current pulse of 10ms at a tolerance of ±15%.
- 3.The typical data of Luminous Flux can only reflect statistical figures, actual parameters of individual product could differ from the typical data. For the purpose of product enhancement, the typical data is subject to change without prior notice.
- 4.1/10 Duty Cycle, 0.1ms Pulse Width.
- 5.Rth(J-A) Results from mounting on PC board FR4 (pad size≥16 mm<sup>2</sup> per pad),

## Electrical / Optical Characteristics at TA=25°C

| Parameter  | Symbol              | Value | Unit                 |
|--|---------------------|-------|----------------------|
| Chromaticity coordinate x acc.to CIE1931<br>IF=20mA [Typ.]     | X <sup>Note1</sup>  | 0.31  | -                    |
| Chromaticity coordinate y acc.to CIE1931<br>IF=20mA [Typ.]     | Y <sup>Note1</sup>  | 0.31  | -                    |
| Forward Voltage IF=20mA [Min.]                                 | VF <sup>Note2</sup> | 2.7   | V                    |
| Forward Voltage IF=20mA [Typ.]                                 |                     | 3.2   |                      |
| Forward Voltage IF=20mA [Max.]                                 |                     | 3.7   |                      |
| Reverse Current (VR=5V) [Typ.]                                 | IR                  | 0.01  | μA                   |
| Reverse Current (VR=5V) [Max.]                                 |                     | 10    |                      |
| Temperature coefficient of x<br>IF=20mA, -10°C≤T≤100°C [Typ.]  | TCx                 | -0.1  | 10 <sup>-3</sup> /°C |
| Temperature coefficient of y<br>IF=20mA, -10°C≤T≤100°C [Typ.]  | TCy                 | -0.2  | 10 <sup>-3</sup> /°C |
| Temperature coefficient of VF<br>IF=20mA, -10°C≤T≤100°C [Typ.] | TCv                 | -2.5  | mV/°C                |

### Notes:

- 1.Chromaticity coordinates are measured by a current pulse of 20ms with a tolerance of ±0.01 in X and Y color coordinates.
- 2.Forward voltage is measured with a current pulse of 10ms at a tolerance of ±0.1V.

## Brightness codes

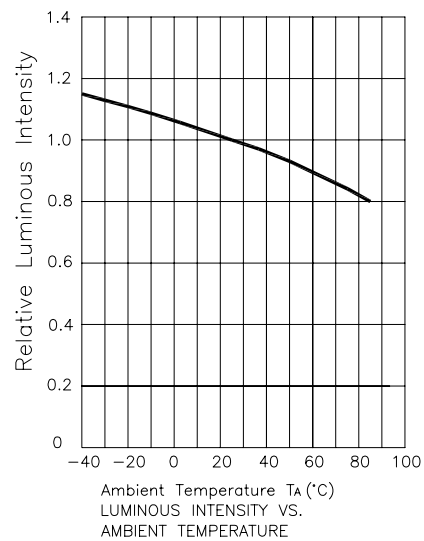
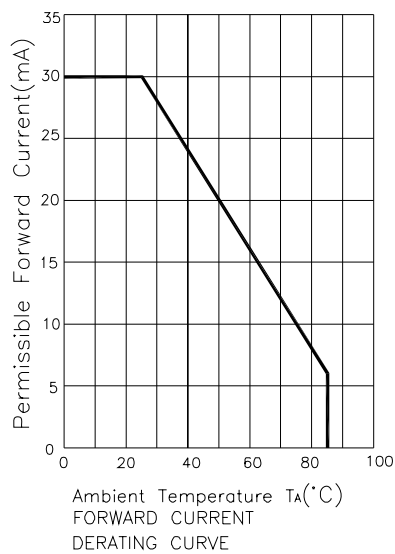
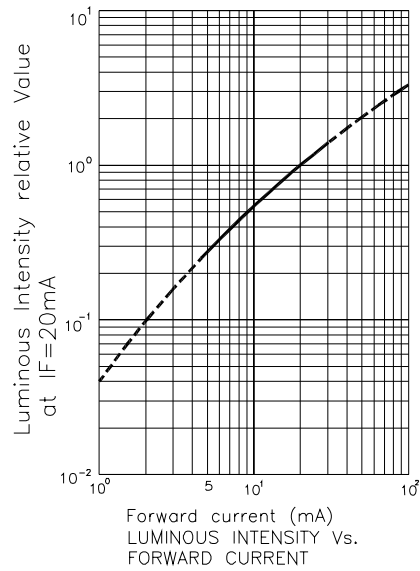
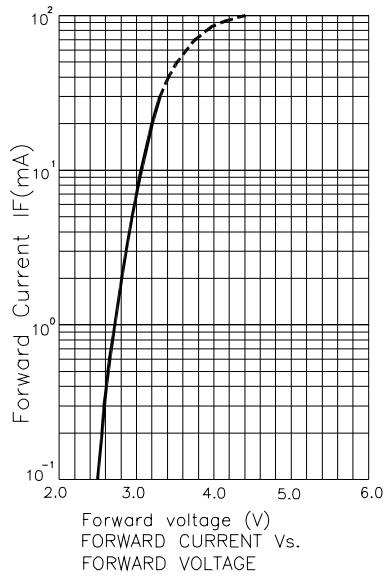
| Code. | luminous Intensity <sup>Note1</sup><br>Iv(mcd) @ 20 mA |      | $\Phi_v$ (mlm) <sup>Note2</sup><br>@ 20 mA |
|-------|--|------|--|
|       | Min.   | Max. | Typ.                                       |
| T     | 650  | 1200 | 3300                                       |
| U     | 900  | 1500 | 3450                                       |
| V     | 1200   | 1800 | 3600                                       |

**Notes:**

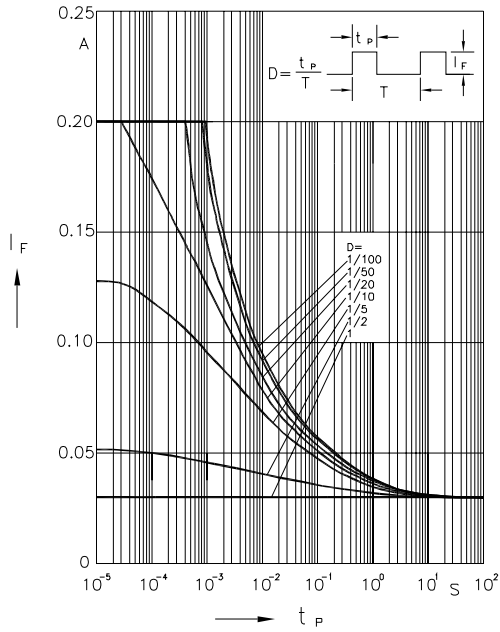
- Luminous intensity is measured by a current pulse of 10ms at a tolerance of  $\pm 15\%$ .
- The typical data of Luminous Flux can only reflect statistical figures, actual parameters of individual product could differ from the typical data. For the purpose of product enhancement, the typical data is subject to change without prior notice.

## White

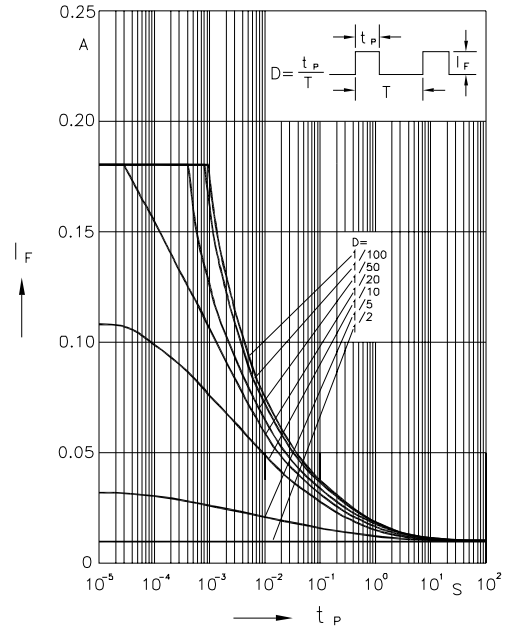
### AA2810RWS/Z



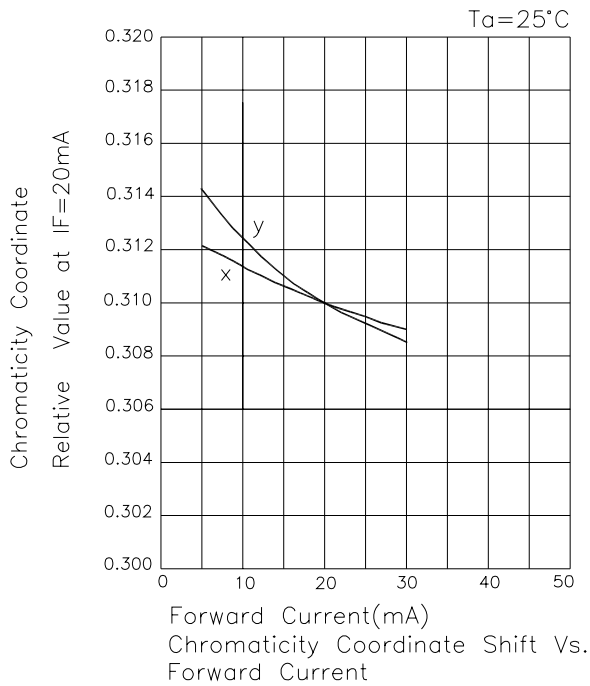
## AA2810RWS/Z



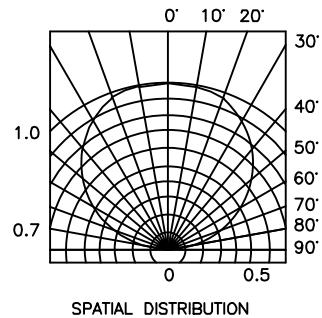
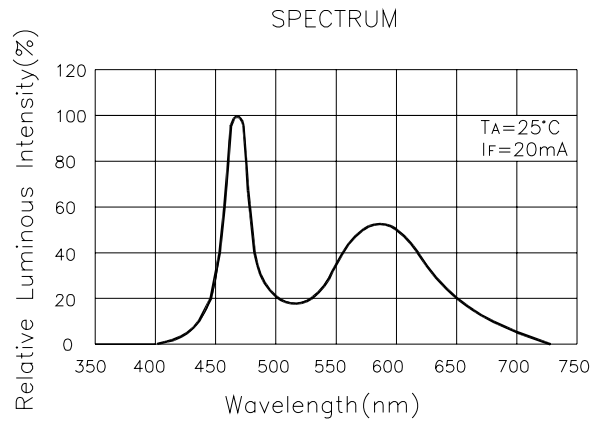
Permissible Pulse Handling Capability  
Duty cycle  $D$ =parameter,  $T_A=25^\circ\text{C}$



Permissible Pulse Handling Capability  
Duty cycle  $D$ =parameter,  $T_A=85^\circ\text{C}$

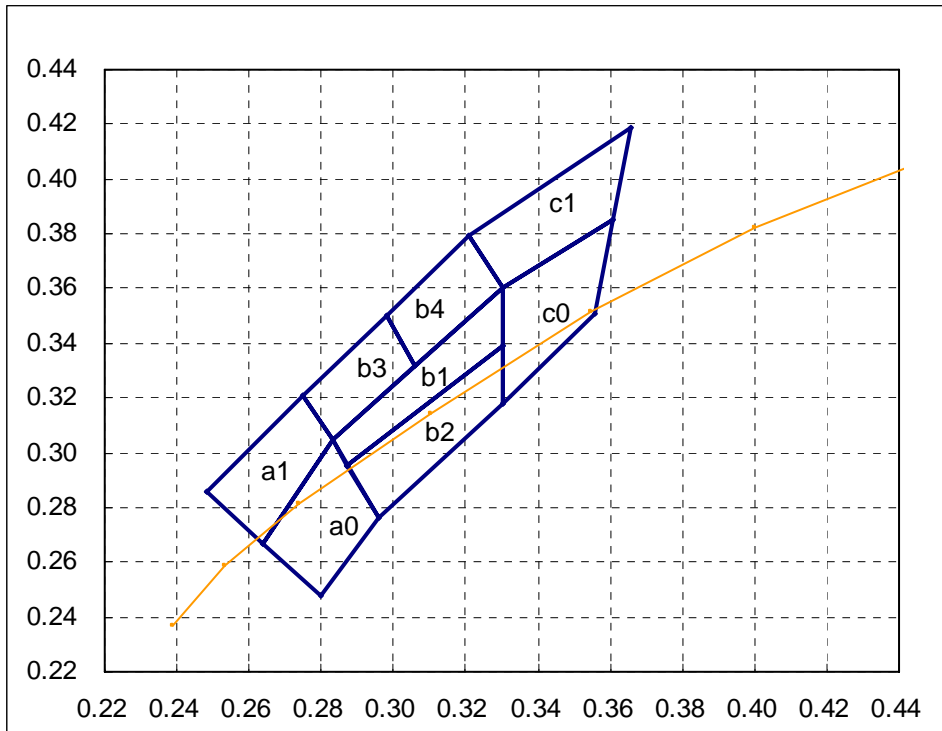


Forward Current(mA)  
Chromaticity Coordinate Shift Vs. Forward Current



AA2810RWS/Z

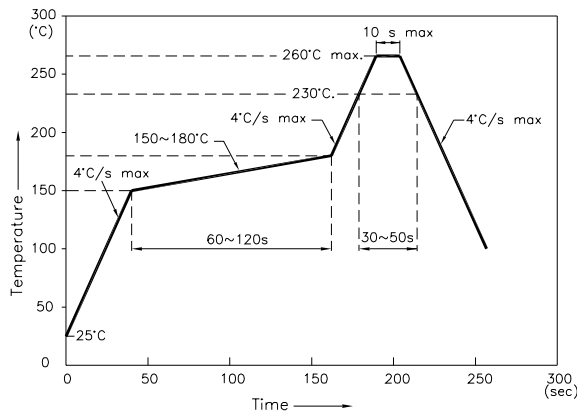
## White CIE



| a0                         |       |       |       |       |
|----------------------------|-------|-------|-------|-------|
| X                          | 0.264 | 0.283 | 0.296 | 0.280 |
| Y                          | 0.267 | 0.305 | 0.276 | 0.248 |
| Reference CCT: 14000~9000k |       |       |       |       |
| b1                         |       |       |       |       |
| X                          | 0.283 | 0.330 | 0.330 | 0.287 |
| Y                          | 0.305 | 0.360 | 0.339 | 0.295 |
| Reference CCT: 9000~5600k  |       |       |       |       |
| b3                         |       |       |       |       |
| X                          | 0.275 | 0.298 | 0.306 | 0.283 |
| Y                          | 0.321 | 0.350 | 0.332 | 0.305 |
| Reference CCT: 9000~7000k  |       |       |       |       |
| c0                         |       |       |       |       |
| X                          | 0.330 | 0.361 | 0.356 | 0.330 |
| Y                          | 0.360 | 0.385 | 0.351 | 0.318 |
| Reference CCT: 5600~4600k  |       |       |       |       |
| a1                         |       |       |       |       |
| X                          | 0.248 | 0.275 | 0.283 | 0.264 |
| Y                          | 0.286 | 0.321 | 0.305 | 0.267 |
| Reference CCT: 14000~9000k |       |       |       |       |
| b2                         |       |       |       |       |
| X                          | 0.287 | 0.330 | 0.330 | 0.296 |
| Y                          | 0.295 | 0.339 | 0.318 | 0.276 |
| Reference CCT: 9000~5600k  |       |       |       |       |
| b4                         |       |       |       |       |
| X                          | 0.298 | 0.321 | 0.330 | 0.306 |
| Y                          | 0.350 | 0.379 | 0.360 | 0.332 |
| Reference CCT: 7600~5600k  |       |       |       |       |
| c1                         |       |       |       |       |
| X                          | 0.321 | 0.366 | 0.361 | 0.330 |
| Y                          | 0.379 | 0.419 | 0.385 | 0.360 |
| Reference CCT: 6000~4600k  |       |       |       |       |

## AA2810RWS/Z

Reflow Soldering Profile For Lead-free SMT Process.

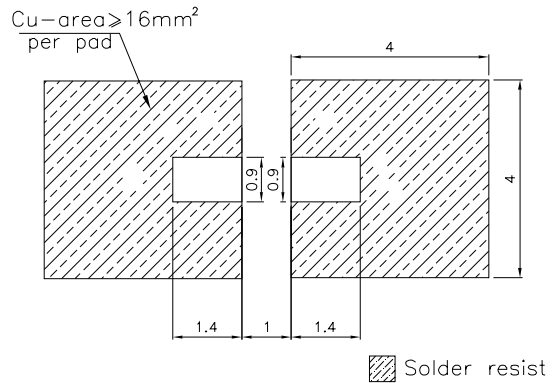
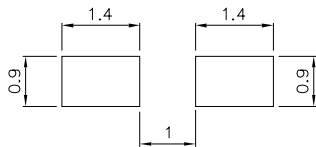


NOTES:

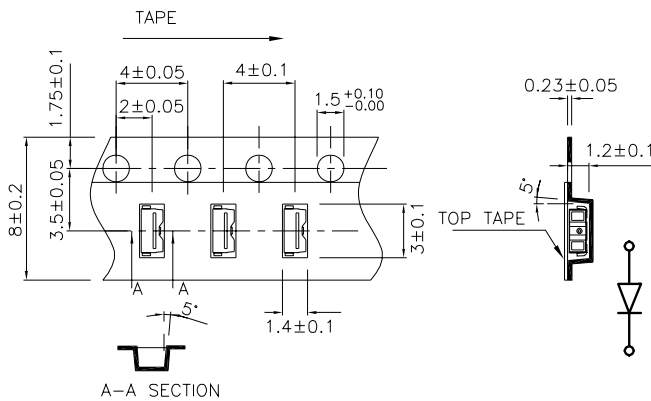
1. We recommend the reflow temperature 245°C(+/-5°C). The maximum soldering temperature should be limited to 260°C.
2. Don't cause stress to the epoxy resin while it is exposed to high temperature.
3. Number of reflow process shall be 2 times or less.

### Recommended Soldering Pattern (Units : mm; Tolerance: ±0.1)

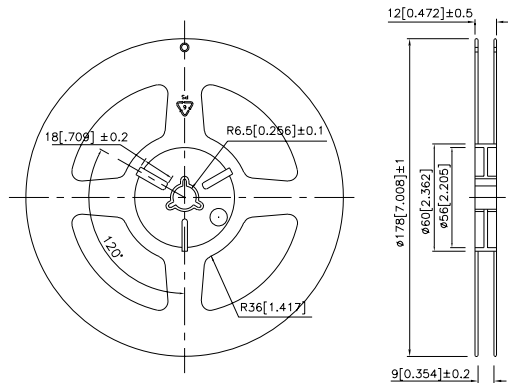
Pad design for improved heat dissipation



### Tape Specifications (Units : mm)



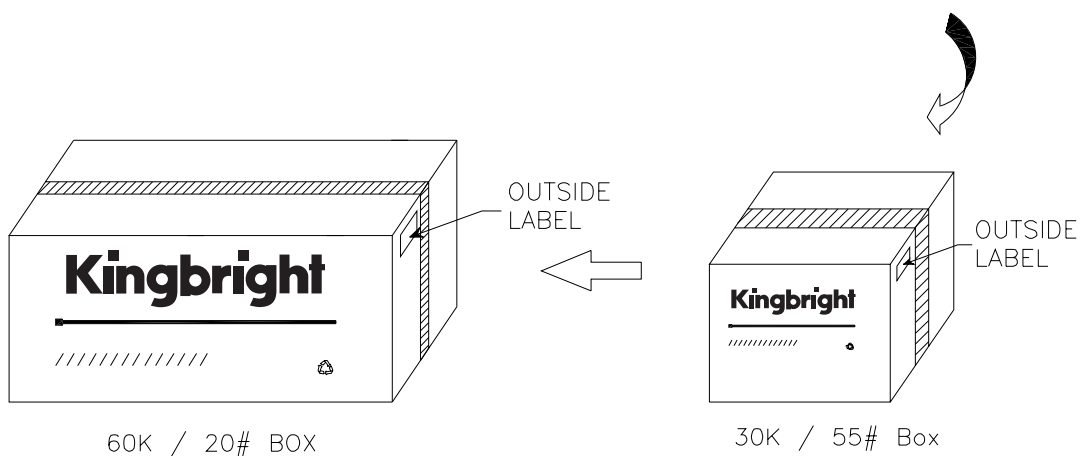
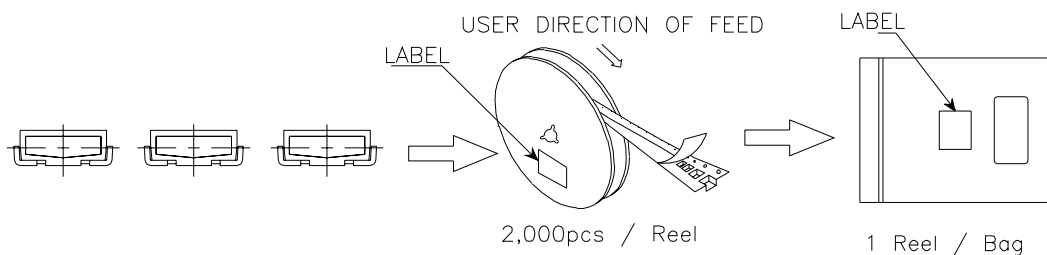
### Reel Dimension

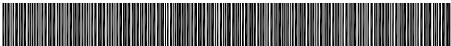


# Kingbright

## PACKING & LABEL SPECIFICATIONS

## AA2810RWS/Z



|  |  |
|--|--|
| <b>Kingbright</b>  |  |
| P/NO: AA2810XXX  |  |
| QTY: 2,000 pcs   | Q.C. <span style="border: 1px solid black; border-radius: 50%; padding: 2px;">Q C<br/>xx xx xx<br/>PASSED</span> |
| S/N: XXXX  |  |
| CODE: XXX  |  |
| LOT NO:  |  |
| <br>xxxxxxxxxxxxxxxxxxxxxxxxxxxx |  |
| RoHS Compliant   |  |